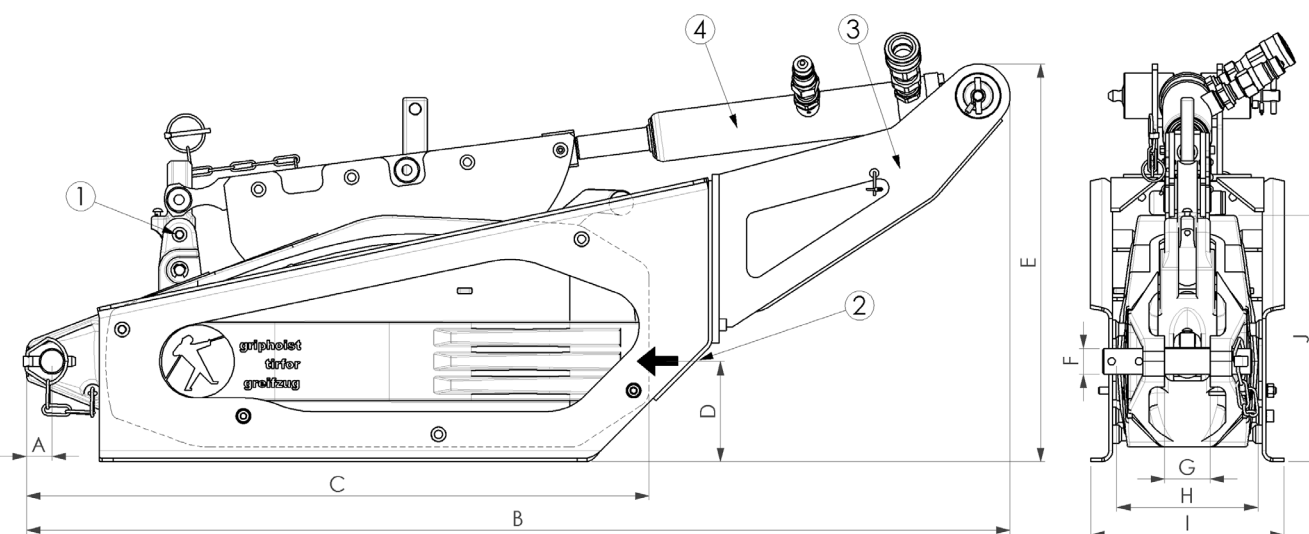


- ① Shear pins forward
- ③ Ram fixing bracket
- ② Rope guide
- ④ Hydraulic ram VA3



TECHNICAL DATA

W.L.L.	Ø wire rope**	Effort to control lever*		Rope travel*		Dimensions mm										Weight
		forward kg	reverse kg	forward mm	reverse mm	A	B	C	D	E	F	G	H	I	J	
3200	16,3	54	25	30	48	28	1079	680	110	436	28	50	150	213	270	56

* Nominal W.L.L.

** Wire rope typ to use

Wire rope length	Number of strands
< 80 m	5
≥ 80 m	6